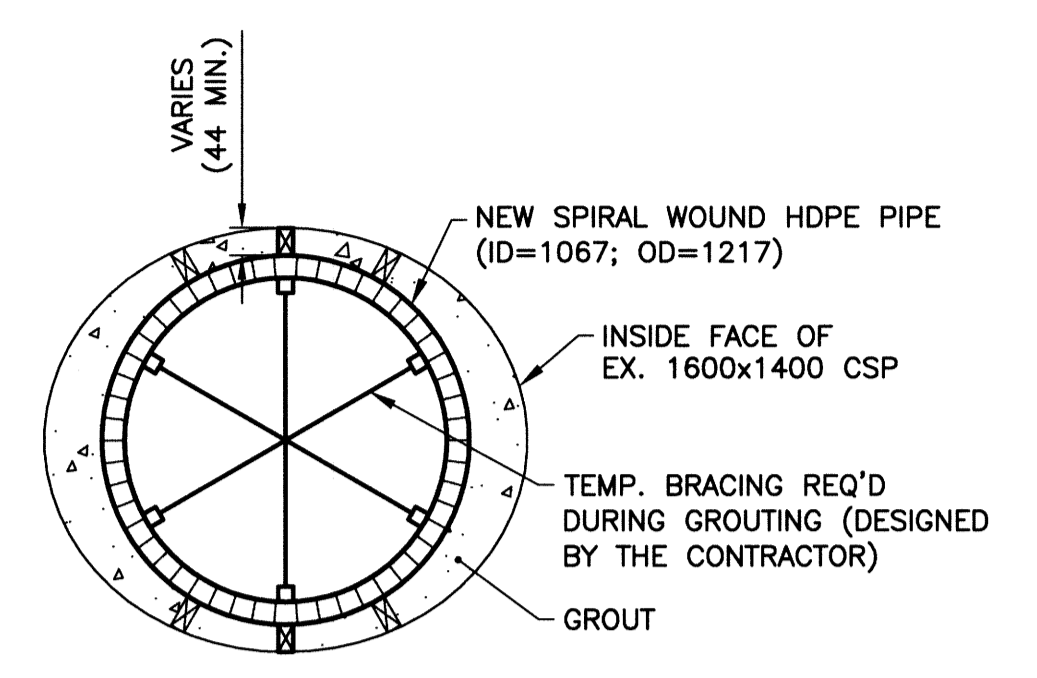
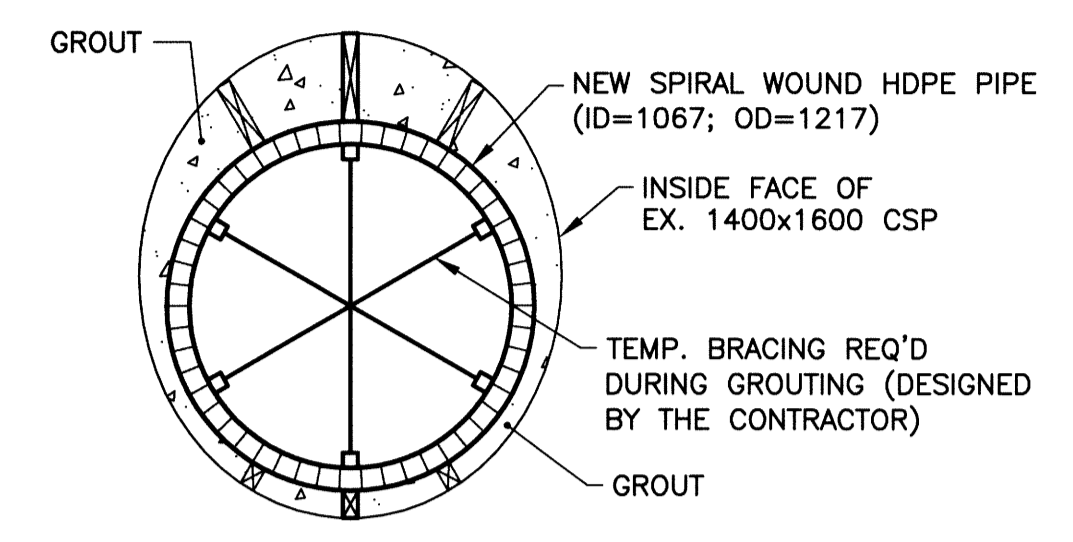


File: P:\Projects\2012\12-0107-013\DocControl\ToBeIssued\DWG\12-0107-013_LD-6950-Rev 0.dwg - Tab: LD-6950 Plotted By: DDeRoche 12/11/29 [Thu 11:58am]

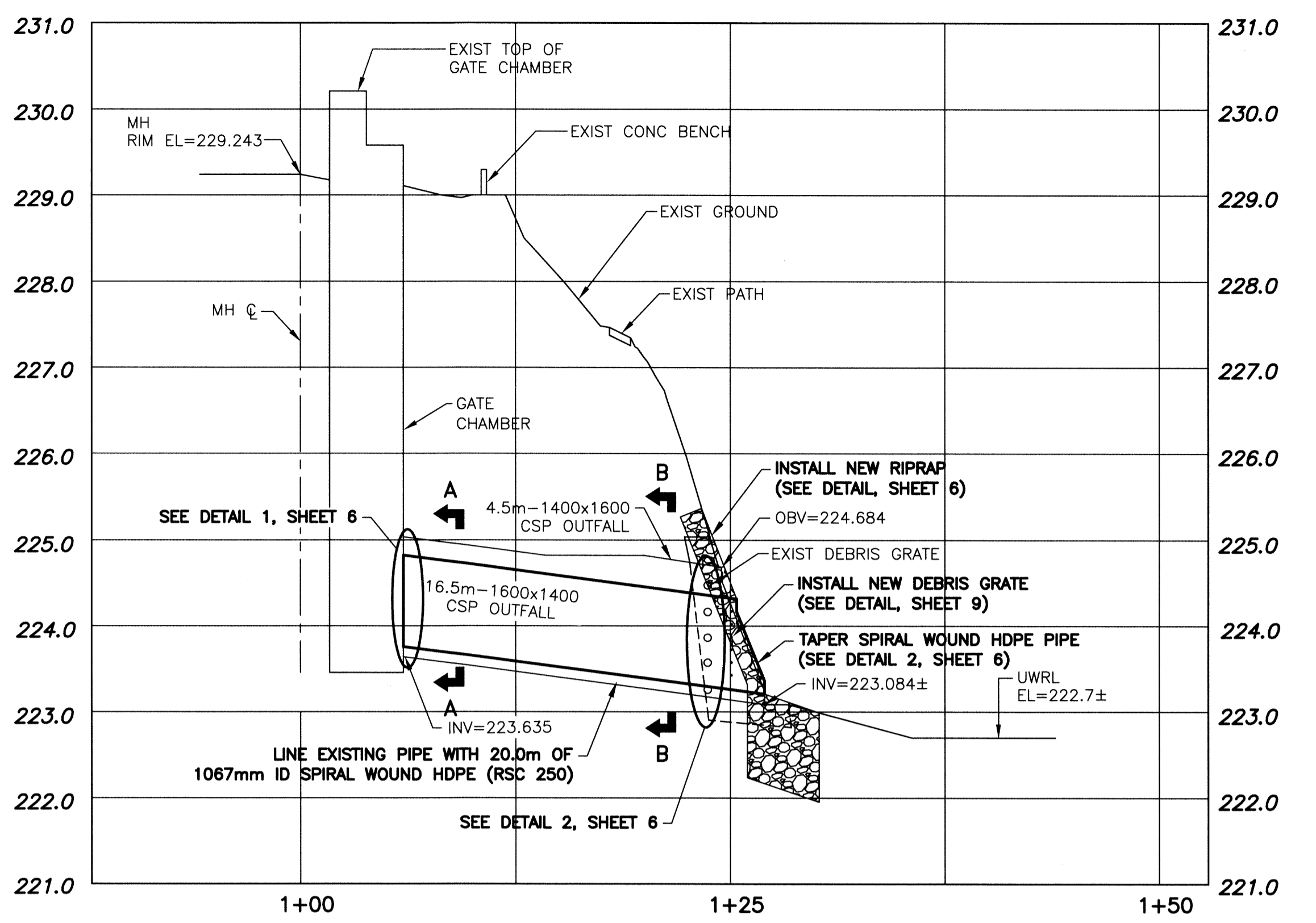


SECTION A - A
SCALE: 1:25

NOTE:
INSTALLATION OF SPIRAL WOUND HDPE REQUIRES SPACERS AND/OR WEIGHTS TO ENSURE LINER REMAINS IN DESIGNED POSITION (SPACERS DESIGNED BY THE CONTRACTOR)

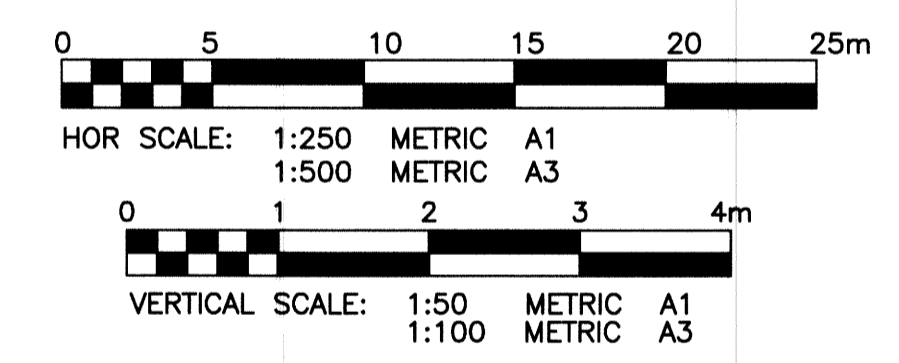
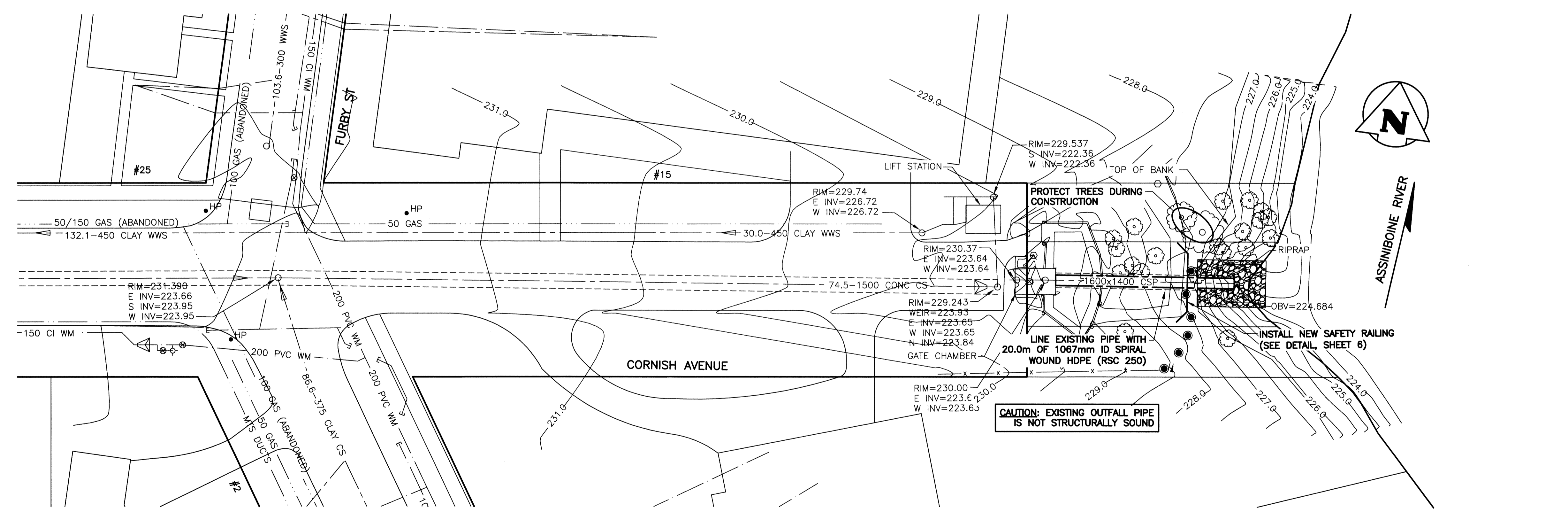


SECTION B - B
SCALE: 1:25



NOTE:

- ALL EXCAVATED MATERIAL TO BE REMOVED OFF SITE.
- RIPRAP ABOVE THE UWRL (222.7±) TO BE SUBCUT INTO THE BANK.



PROPERTY LIMITS DELINEATION

DELINEATION OF PROPERTY LIMITS AS SHOWN ON THIS DWG DOES NOT REPRESENT A "LEGAL SURVEY". KGS GROUP MAKES NO REPRESENTATION OR WARRANTY AS TO THE ACCURACY OF PROPERTY LIMITS DELINEATED ON THIS DWG, NOR ON THE DIMENSIONAL ACCURACY OF DWG FEATURES RELATIVE TO THOSE PROPERTY LIMITS.

METRIC

WHOLE NUMBERS INDICATE MILLIMETRES
DECIMALIZED NUMBERS INDICATE METRES

APGM
Certificate of Authorization
KGS Group
No. 245

EXISTING	LEGEND-PLAN	PROPOSED	EXISTING	LEGEND-PLAN	PROPOSED	EXISTING	LEGEND-PROFILE	PROPOSED
300 LGS	LAND DRAINAGE SEWER	300 LGS	250 WWS	WASTE WATER SEWER	250 WWS	+	TEST HOLE	
---	GAS	---	---	GAS	---	---	GUY WIRE	
---	HYDRO	---	---	M.T.S.	---	---	LIGHT STANDARD	
---	WATERMAIN	---	---	CONCRETE	---	---	BACK OF CURB	
+	HYDRANT	+	---	ASPHALT	---	---	SIDWALK	
+	VALVE	+	---	PROPERTY LINE	---	---	N/W LANE EDGE	
○	MANHOLE	○	---	SURVEY BAR	---	---	S/E LANE EDGE	
□	CATCH BASIN	□	---	GEODETIC BENCHMARK	---	---	PARKING/DRIVEWAY	
▽	CURB INLET	▽	231.334	ELEVATION	---	---	WINDOW/DOOR SILL	
●	POLES	●						

LOCATION APPROVED UNDERGROUND STRUCTURES
SUPV. U/G STRUCTURES DATE COMMITTEE
NOTE: LOCATION OF UNDERGROUND STRUCTURES AS SHOWN ARE BASED ON THE BEST INFORMATION AVAILABLE BUT NO GUARANTEE IS GIVEN THAT THE GIVEN LOCATIONS ARE EXACT. CONFIRMATION OF EXISTENCE AND EXACT LOCATION OF ALL SERVICES MUST BE OBTAINED FROM THE INDIVIDUAL UTILITIES BEFORE PROCEEDING WITH CONSTRUCTION.

B.M. KGS BASE ELEV.	---	DWGS BASED ON C.S.R.S. NAD 83 SYSTEM, UTM GRID	
DESIGNED BY	RBO	CHECKED BY	RJH
DRAWN BY	DMW	APPROVED BY	
HOR. SCALE:	1:250	RELEASED FOR CONSTRUCTION:	
VERTICAL:	1:50		
0 ISSUED FOR TENDER	12/11/30		
NO. REVISIONS		DATE	BY

ENGINEER'S SEAL: R. E. OFFMAN, Member, 24701, Registered Professional Engineer
THE CITY OF WINNIPEG WATER AND WASTE DEPARTMENT
PROJECT TITLE: **2012 OUTFALL RENEWAL/REHABILITATION PROGRAM**
CORNISH AVENUE OUTFALL (AS-88) PLAN AND PROFILE
SHEET 5 OF 9
COMPUTER FILE NAME: 12-0107-013
CITY DRAWING NUMBER: LD-6950
CONSULTANT DRAWING NO.: 12-0107-013